



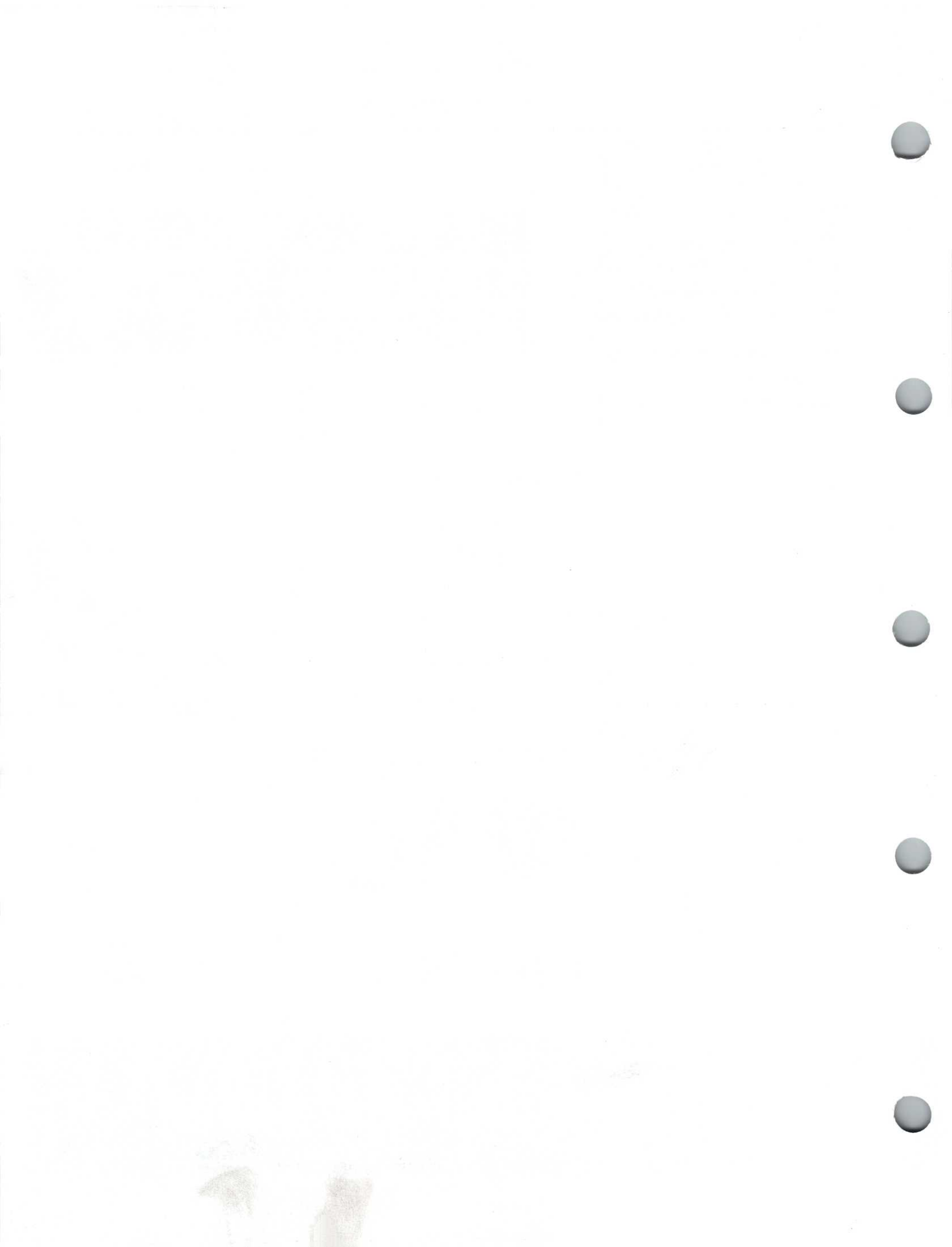
**SATURN®**

**1991 – 1998**

**HVAC**

**Revised**

**parts and illustration catalog**



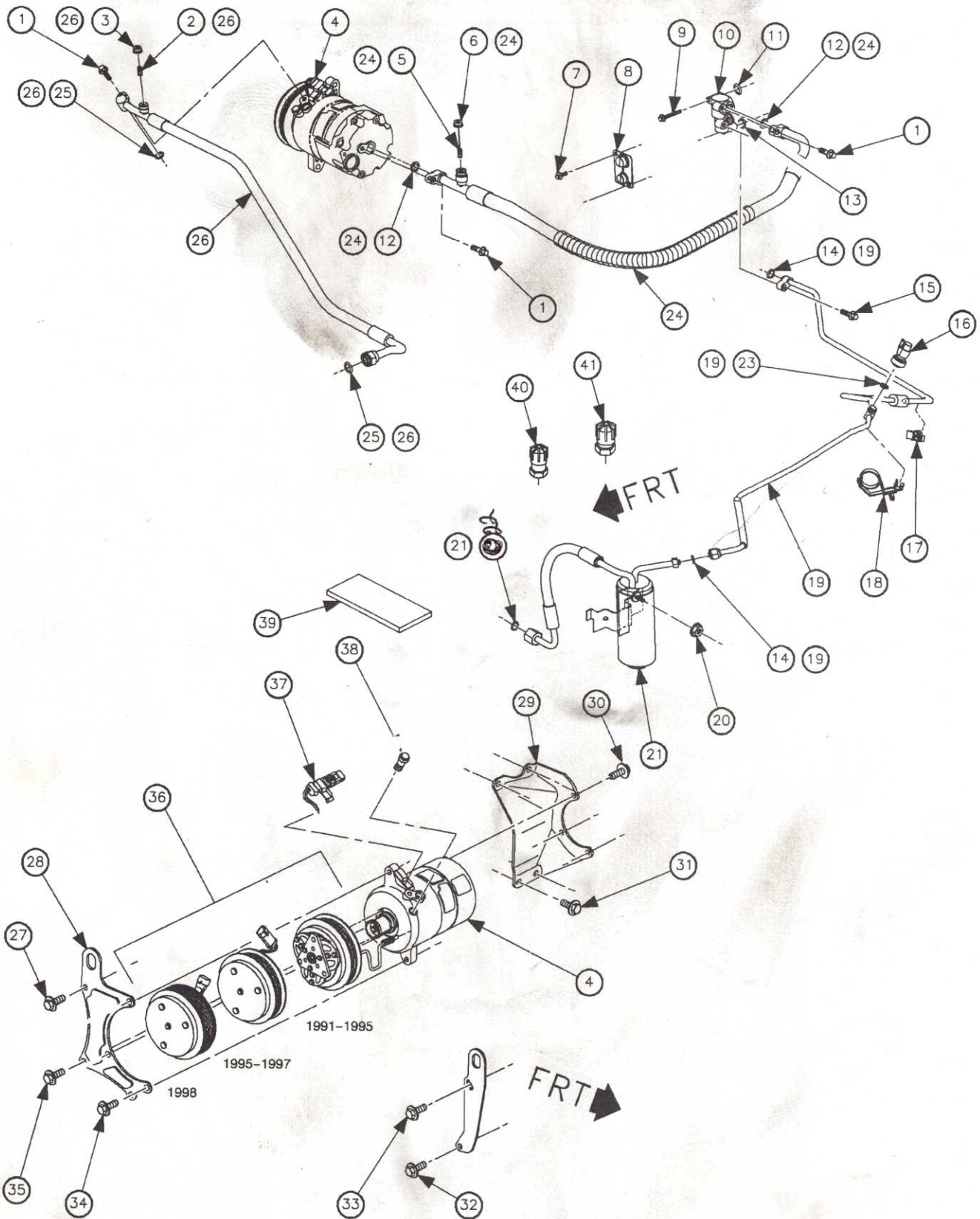
# HVAC – (HVAC)

## Table of Contents

---

|  | Art<br>No.     | Page<br>No. |
|--|----------------|-------------|
| <b>HVAC (HVAC)</b>                       |                |             |
| A/C System Components .....              | 00051739 ..... | 6-2         |
| HVAC Module Components .....             | 00051701 ..... | 6-6         |
| HVAC I/P Ducts & Harness .....           | 00051660 ..... | 6-10        |
| HVAC Control Assembly & Components ..... | 00051702 ..... | 6-16        |
| <b>Section Indexes (HVIN)</b>            |                |             |
| Alphabetic Index .....                   |                | 6-19        |
| Part Number Index .....                  |                | 6-21        |

# A/C SYSTEM COMPONENTS



SPHVC51739AL

**SATURN SERVICE PARTS OPERATION**  
**HVAC 6-2**

© Copyright 1998 Saturn Corporation U.S.A. All Rights Reserved



# A/C SYSTEM COMPONENTS

| Item | Model Year | Part Description   | Model Codes | Usage                                 | Hd. | Qty. | Part Number |
|------|------------|--|-------------|---------------------------------------|-----|------|-------------|
| 001  | 91-98      | BOLT/SCREW-A/C CMPR & CNDSR HOSE   | ALL         | A/C(C60)                              |     | 003  | 11508476    |
| 002  | 91         | CORE ASM-A/C DISCH LINE SCHRADER VLV<br>NOTE 1: 1ST DESIGN FOR 1991. LARGE VALVE CORE. | ALL         | A/C(C60)                              |     | 001  | 10027604    |
| 002  | 91-98      | CORE ASM-A/C DISCH LINE SCHRADER VLV<br>NOTE 1: 2ND DESIGN FOR 1991. SMALL VALVE CORE. | ALL         | A/C(C60)                              |     | 001  | 03041827    |
| 003  | 91-93      | CAP ASM-A/C DISCH LINE SCHRADER VLV  | ALL         | A/C(C60)                              |     | 001  | 52451233    |
| 003  | 94-98      | CAP ASM-A/C DISCH LINE SCHRADER VLV  | ALL         | A/C(C60)                              |     | 001  | 52458768    |
| 004  | 91-93      | COMPRESSOR ASM-A/C<br>NOTE 1: (CORE #21031273)   | ALL         | A/C(C60)                              |     | 001  | 21030811    |
| 004  | 94-95      | COMPRESSOR ASM-A/C<br>NOTE 1: (CORE #21031273)   | ALL         | A/C(C60)                              |     | 001  | 21030825    |
| 004  | 96-97      | COMPRESSOR ASM-A/C<br>NOTE 1: (CORE #21031273)   | ALL         | A/C(C60)                              |     | 001  | 21031196    |
| 004  | 98         | COMPRESSOR ASM-A/C<br>NOTE 1: (CORE #21031273)   | ALL         | A/C(C60)                              |     | 001  | 21031222    |
| 005  | 91-98      | CORE ASM-A/C SUC LINE SCHRADER VLV   | ALL         | A/C(C60)                              |     | 001  | 03041827    |
| 006  | 91-93      | CAP ASM-A/C EVAP HOSE VLV  | ALL         | A/C(C60)                              |     | 001  | 03033943    |
| 006  | 94-98      | CAP ASM-A/C EVAP HOSE VLV  | ALL         | A/C(C60)                              |     | 001  | 52458768    |
| 007  | 91-95      | BOLT/SCREW-A/C EVAP & CMPR TUBE OPG CVR  | ALL         | RETAILER A/C PREP(C66)                |     | 002  | 11515376    |
| 008  | 91-95      | SEAL-A/C EVPR  | ALL         | RETAILER A/C PREP(C66)<br>OR A/C(C60) |     | 001  | 21030277    |
| 009  | 91-98      | BOLT/SCREW-A/C EVAP & CMPR TUBE OPG CVR  | ALL         | A/C(C60)                              |     | 002  | 11515471    |
| 010  | 91-93      | VALVE ASM-A/C EVAP THERM EXPN  | ALL         | A/C(C60)                              |     | 001  | 21030075    |
| 010  | 94-98      | VALVE ASM-A/C EVAP THERM EXPN  | ALL         | A/C(C60)                              |     | 001  | 21030587    |
| 011  | 91-98      | SEAL-A/C EVAP OTLT TUBE  | ALL         | A/C(C60)                              |     | 001  | 52455831    |
| 012  | 91-98      | SEAL-A/C SUC LINE (O RING)   | ALL         | A/C(C60)                              |     | 002  | 03094215    |
| 013  | 91-98      | SEAL-A/C EVAP INL TUBE   | ALL         | A/C(C60)                              |     | 001  | 52455830    |
| 014  | 91-98      | SEAL-A/C RCVR & DEHYDR TUBE (O RING)   | ALL         | A/C(C60)                              |     | 002  | 21030308    |
| 015  | 91-98      | BOLT/SCREW-A/C RCVR & DEHYDR TUBE  | ALL         | A/C(C60)                              |     | 001  | 11508476    |
| 016  | 91-98      | SWITCH ASM-A/C CMPR RLY ENG COOL TEMP  | ALL         | A/C(C60)                              |     | 001  | 21030824    |
| 017  | 91         | CLIP-A/C RCVR DEHY TUBE  | ALL         | A/C(C60) OR RETAILER<br>A/C PREP(C66) |     | 001  | 21030206    |
| 018  | 91-94      | CLIP-A/C RCVR & DEHYDR TUBE, & BODY WRG HARN   | ALL         |                                       |     | 001  | 21030724    |
| 018  | 95-98      | CLIP-A/C RCVR & DEHYDR TUBE, & BODY WRG HARN   | ALL         |                                       |     | 001  | 21030855    |
| 019  | 91-95      | TUBE ASM-A/C RCVR & DEHYDR   | ALL         | A/C(C60) OR RETAILER<br>A/C PREP(C66) |     | 001  | 21030912    |

# A/C SYSTEM COMPONENTS

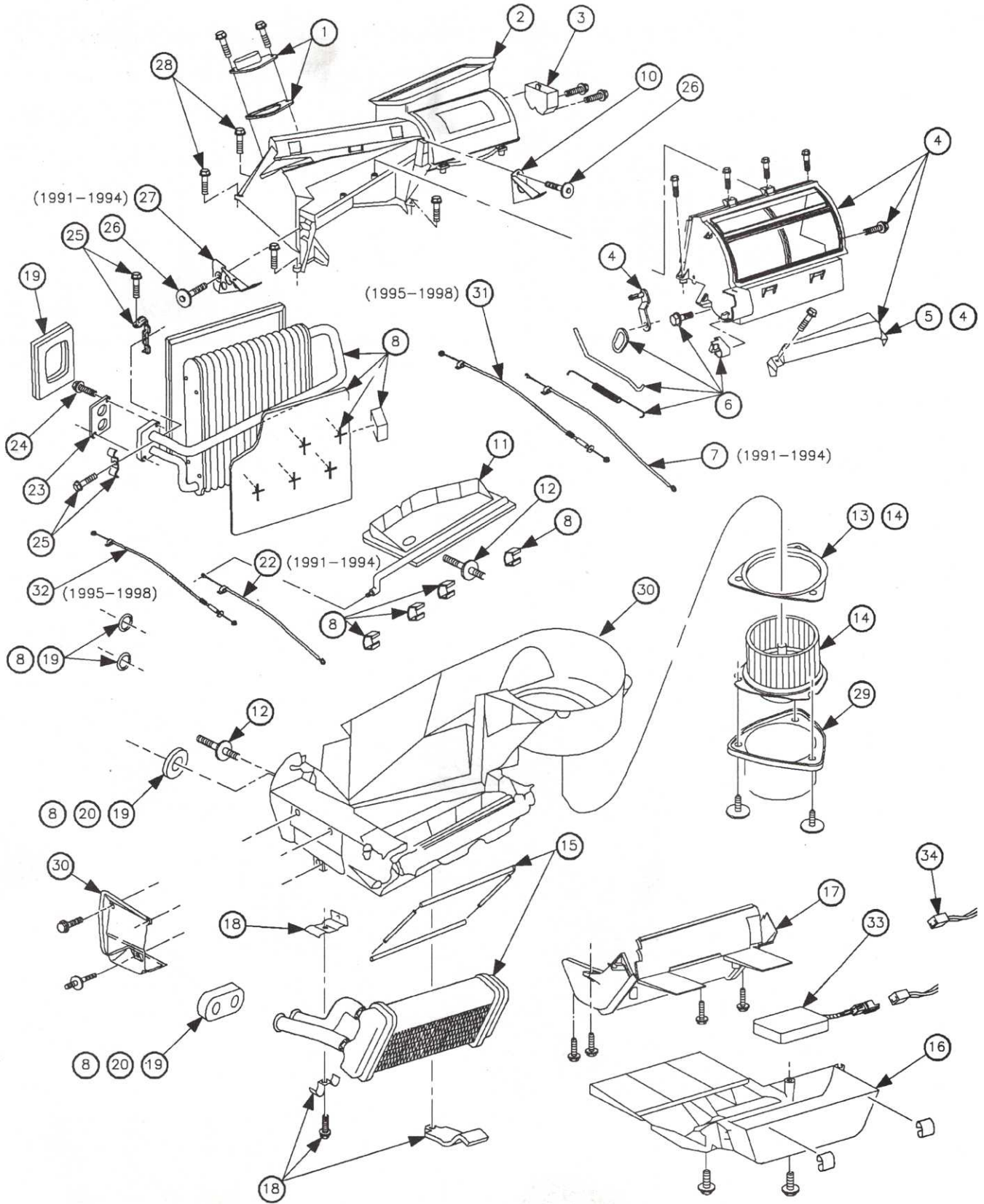
| Item  | Model Year | Part Description                      | Model Codes | Usage                                      | Hd. | Qty. | Part Number |
|---|------------|---------------------------------------|-------------|--|-----|------|-------------|
| 019   | 96-98      | TUBE ASM-A/C RCVR & DEHYDR            | ALL         | A/C(C60)                                   |     | 001  | 21031099    |
| 020   | 91         | NUT-A/C RCVR & DEHYDR BRKT            | ALL         | A/C(C60)                                   |     | 001  | 11509220    |
| 020   | 92-98      | NUT-A/C RCVR & DEHYDR BRKT            | ALL         | A/C(C60)                                   |     | 001  | 21021167    |
| 021   | 91-93      | HOSE ASM-A/C RCVR & DEHYDR            | ALL         | A/C(C60)                                   |     | 001  | 21030794    |
| 021   | 94-98      | HOSE ASM-A/C RCVR & DEHYDR            | ALL         | A/C(C60)                                   |     | 001  | 21030586    |
| 022   | 91-98      | SEAL-A/C RCVR & DEHYDR FTG (O RING)   | ALL         | A/C(C60)                                   |     | 001  | 03093509    |
| 023   | 91-98      | SEAL-A/C REFRIG PRESS SW FTG (O RING) | ALL         | A/C(C60)                                   |     | 001  | 03093509    |
| 024   | 91-93      | HOSE ASM-A/C CMPR                     | ALL         | A/C(C60)                                   |     | 001  | 21030903    |
| 024   | 94-98      | HOSE ASM-A/C CMPR                     | ALL         | A/C(C60)                                   |     | 001  | 21031259    |
| 025   | 91-98      | SEAL-A/C CNDSR TUBE (O- RING)         | ALL         | A/C(C60)                                   |     | 002  | 03094214    |
| 026   | 91         | HOSE ASM-A/C CMPR DISCHARGE           | ALL         | A/C(C60)                                   |     | 001  | 21030419    |
| 026   | 92-93      | HOSE ASM-A/C CMPR                     | ALL         | A/C(C60)                                   |     | 001  | 21030816    |
| 026   | 94-95      | HOSE ASM-A/C CMPR                     | ALL         | A/C(C60)                                   |     | 001  | 21030589    |
| 026   | 96-98      | HOSE ASM-A/C CMPR                     | ALL         | A/C(C60)                                   |     | 001  | 21031159    |
| 027   | 91-98      | BOLT/SCREW-A/C CMPR FRT BRKT          | ALL         | A/C(C60)                                   |     | 001  | 11508300    |
| 028   | 91-98      | BRACKET-A/C CMPR FRT                  | ALL         | DOHC(LL0) W/ A/C(C60)                      |     | 001  | 21000703    |
| 028   | 91-98      | BRACKET-A/C CMPR FRT                  | ALL         | SOHC/TBI(LK0) OR SOHC/MFI(L24) W/ A/C(C60) |     | 001  | 21000705    |
| NOTE 1: FOR 1998, SOHC/TBI (LK0) IS NOT AN OPTION.  |            |                                       |             |  |     |      |             |
| 029   | 91-98      | BRACKET-A/C CMPR RR                   | ALL         | DOHC(LL0) W/ A/C(C60)                      |     | 001  | 21006957    |
| 029   | 91-98      | BRACKET-A/C CMPR RR                   | ALL         | SOHC/TBI(LK0) OR SOHC/MFI(L24) W/ A/C(C60) |     | 001  | 21006958    |
| NOTE 1: FOR 1998, SOHC/TBI (LK0) IS NOT AN OPTION.  |            |                                       |             |  |     |      |             |
| 030   | 91-98      | BOLT/SCREW-A/C CMPR                   | ALL         | A/C(C60)                                   |     | 003  | 11508300    |
| 031   | 91-98      | BOLT/SCREW-A/C CMPR RR BRKT           | ALL         | A/C(C60)                                   |     | 004  | 11508300    |
| 032   | 91-98      | BOLT/SCREW-ENG LIFT BRKT              | ALL         | HTR(C41) OR RETAILER A/C PREP(C66)         |     | 001  | 11508251    |
| 033   | 91-97      | BOLT/SCREW-ENG LIFT BRKT              | ALL         | HTR(C41) OR RETAILER A/C PREP(C66)         |     | 001  | 11508300    |
| 034   | 91-98      | BOLT/SCREW-A/C CMPR                   | ALL         | A/C(C60)                                   |     | 003  | 11508251    |
| 035   | 91-98      | BOLT/SCREW-A/C CMPR FRT BRKT          | ALL         | A/C(C60)                                   |     | 002  | 11508251    |
| 036   | 91-95      | CLUTCH-A/C CMPR                       | ALL         | A/C(C60)                                   |     | 001  | 21030300    |
| NOTE 1: THIS CLUTCH CAN ONLY BE USED WITH COMPRESSOR #21030859 AND #21030811. THESE COMPRESSORS CAN BE IDENTIFIED BY THE "HIGH TEMP SENSOR."  |            |                                       |             |  |     |      |             |
| 036   | 94-98      | CLUTCH ASM-A/C                        | ALL         | A/C(C60)                                   |     | 001  | 21031119    |
| NOTE 1: THIS CLUTCH CAN ONLY BE USED WITH COMPRESSOR #21030825 OR 21031196. THIS COMPRESSOR CAN BE IDENTIFIED BY THE "HIGH TEMP SENSOR" BEING ELIMINATED AND THE ELECTRICAL CONNECTOR ON A PIGTAIL. |            |                                       |             |  |     |      |             |



# A/C SYSTEM COMPONENTS

| Item | Model Year | Part Description  | Model Codes | Usage    | Hd. | Qty. | Part Number |
|------|------------|---|-------------|----------|-----|------|-------------|
| 036  | 98         | CLUTCH ASM-A/C  | ALL         | A/C(C60) |     | 001  | 21031256    |
|      |            | NOTE 1: THIS CLUTCH CAN ONLY BE USED WITH COMPRESSOR #21031222. THIS COMPRESSOR HAS AN INDENTATION IN THE HEAD TO ACCOMMODATE THE THE INTEGRAL CONNECTOR IN THE CLUTCH. |             |          |     |      |             |
| 037  | 91-93      | SENSOR-A/C CMPR   | ALL         | A/C(C60) |     | 001  | 21030302    |
| 037  | 94-95      | SENSOR-A/C CMPR   | ALL         | A/C(C60) |     | 001  | 21030826    |
| 038  | 91-96      | VALVE-A/C CMPR PRESS RLF  | ALL         | A/C(C60) |     | 001  | 21030827    |
| 038  | 94-98      | VALVE-A/C CMPR PRESS RLF  | ALL         | A/C(C60) |     | 001  | 21031128    |
| 039  | 91-93      | LABEL-A/C REFRIG CAUTION  | ALL         | A/C(C60) |     | 001  | 21030857    |
| 040  | 91-93      | FITTING-A/C RETRO FIT SUCTION   | ALL         | A/C(C60) |     | 001  | 21030851    |
| 041  | 91-93      | FITTING-A/C RETRO FIT DISCH   | ALL         | A/C(C60) |     | 001  | 21030852    |

# HVAC MODULE COMPONENTS



SPHVC51701AP



# HVAC MODULE COMPONENTS

| Item   | Model Year | Part Description                           | Model Codes | Usage  | Hd. | Qty. | Part Number |
|--|------------|--|-------------|--|-----|------|-------------|
| 001  | 91-98      | RESISTOR ASM-BLO MOT                       | ALL         |  |     | 001  | 52454736    |
| 002  | 91-98      | CASE ASM-BLO UPR                           | ALL         | HTR(C41) OR A/C(C60) OR RETAILER A/C PREP(C66) |     | 001  | 52460554    |
| 003  | 91-98      | ACTUATOR ASM-AIR INL VLV                   | ALL         | HTR(C41) OR A/C(C60) OR RETAILER A/C PREP(C66) |     | 001  | 16124567    |
| 004  | 91-98      | HOUSING ASM-HTR & A/C MODE VLV             | ALL         | HTR(C41) OR A/C(C60) OR RETAILER A/C PREP(C66) |     | 001  | 21031221    |
| 005  | 91-98      | BAFFLE-HTR & A/C MODE CONT LVR             | ALL         |  |     | 001  | 52455442    |
| 006  | 91-98      | LINKAGE KIT-HTR & A/C CONT                 | ALL         |  |     | 001  | 21030338    |
| 007  | 91-94      | CABLE-HTR & A/C MODE CONT                  | ALL         |  |     | 001  | 52455433    |
| 008  | 91-98      | EVAPORATOR KIT-A/C                         | ALL         | A/C(C60)                                       |     | 001  | 21030870    |
| 010  | 91-94      | BRACKET-HTR & BLO CONT MDL                 | ALL         |  | R   | 001  | 52453982    |
| 010  | 95-96      | BRACKET-HTR & BLO CONT MDL                 | ALL         |  | R   | 001  | 52465447    |
| 011  | 91-98      | VALVE-TEMP                                 | ALL         |  |     | 001  | 52454730    |
| 012  | 91-98      | STUD-HTR & A/C CONT VAC SCE HOSE CLIP      | ALL         |  |     | 001  | 52455430    |
| 013  | 91-95      | ISOLATOR-HTR & A/C BLO MOT                 | ALL         |  |     | 001  | 03091179    |
| 014  | 91-98      | MOTOR ASM-BLO                              | ALL         | A/C(C60)                                       |     | 001  | 21031219    |
| 014  | 91-98      | MOTOR ASM-BLO                              | ALL         | HTR(C41)                                       |     | 001  | 21031220    |
| 015  | 91-98      | CORE-HTR                                   | ALL         |  |     | 001  | 21030334    |
| 016  | 91-94      | DUCT-AIR DISTR LWR                         | ALL         |  |     | 001  | 52454597    |
| 016  | 95-98      | DUCT-AIR DISTR LWR                         | ALL         |  |     | 001  | 21030887    |
| 017  | 91-98      | COVER-HTR CORE                             | ALL         | HTR(C41) OR A/C(C60)                           |     | 001  | 52461807    |
| 018  | 91-96      | CLAMP KIT-HTR CORE                         | ALL         |  |     | 001  | 21030351    |
| 019  | 91-98      | SEAL KIT-HTR & BLO MDL & A/C EVAP DRN TUBE | ALL         | A/C(C60)                                       |     | 001  | 21030349    |
| 020  | 91-98      | SEAL KIT-HTR & BLO MDL & A/C EVAP DRN TUBE | ALL         | HTR(C41)                                       |     | 001  | 21030340    |
| 022  | 91-94      | CABLE-HTR & A/C TEMP CONT                  | ALL         |  |     | 001  | 52455432    |
| 023  | 91-95      | SEAL-A/C EVPR                              | ALL         | RETAILER A/C PREP(C66)                         |     | 001  | 21030277    |
| 024  | 91-95      | BOLT/SCREW-A/C EVAP & CMPR TUBE OPG CVR    | ALL         | RETAILER A/C PREP(C66)                         |     | 002  | 11515376    |
| 025  | 91-98      | CLAMP KIT-A/C EVAP                         | ALL         | A/C(C60)                                       |     | 001  | 21030352    |
| 026  | 91-98      | BOLT/SCREW-HTR & BLO MDL                   | ALL         |  |     | 004  | 03093166    |
| 027  | 91-94      | BRACKET-HTR & BLO CONT MDL                 | ALL         |  | L   | 001  | 52453981    |
| 028  | 91-98      | BOLT/SCREW-HTR & A/C EVAP & BLO MDL        | ALL         |  |     | 001  | 11505830    |
| 029  | 91-98      | COVER-BLO                                  | ALL         |  |     | 001  | 21030787    |
| 030  | 91-98      | CASE KIT-HTR & A/C MODULE                  | ALL         |  |     | 001  | 21031138    |
| NOTE 1: INCLUDES CASE WITH HEATER CORE PIPE COVER. |            |  |             |  |     |      |             |
| 031  | 95-98      | CABLE ASM-VENT CONT                        | ALL         |  |     | 001  | 21031053    |
| 032  | 95-98      | CABLE ASM-TEMP CONT                        | ALL         |  |     | 001  | 21031054    |

# HVAC MODULE COMPONENTS

| Item   | Model Year | Part Description              | Model Codes | Usage                                 | Hd. | Qty. | Part Number |
|--|------------|-------------------------------|-------------|---------------------------------------|-----|------|-------------|
| 033  | 91-98      | MODULE KIT-BLO MOT CONT       | ALL         | A/C(C60) OR RETAILER<br>A/C PREP(C66) |     | 001  | 21031158    |
| NOTE 1: MUST ORDER RELAY (ITEM 34) FOR 1996-1997. USE ONLY IN REFERENCE TO TECHNICAL BULLETINS WITH SUBJECT: "ODOR FROM A/C AT VEHICLE START UP" |            |                               |             |                                       |     |      |             |
| 034  | 96-98      | RELAY KIT-BLO MOT CONT<br>MDL | ALL         | A/C(C60)                              |     | 001  | 12167634    |
| NOTE 1: USE ONLY IN REFERENCE TO TECHNICAL BULLETINS WITH SUBJECT: "ODOR FROM A/C AT VEHICLE START UP"   |            |                               |             |                                       |     |      |             |

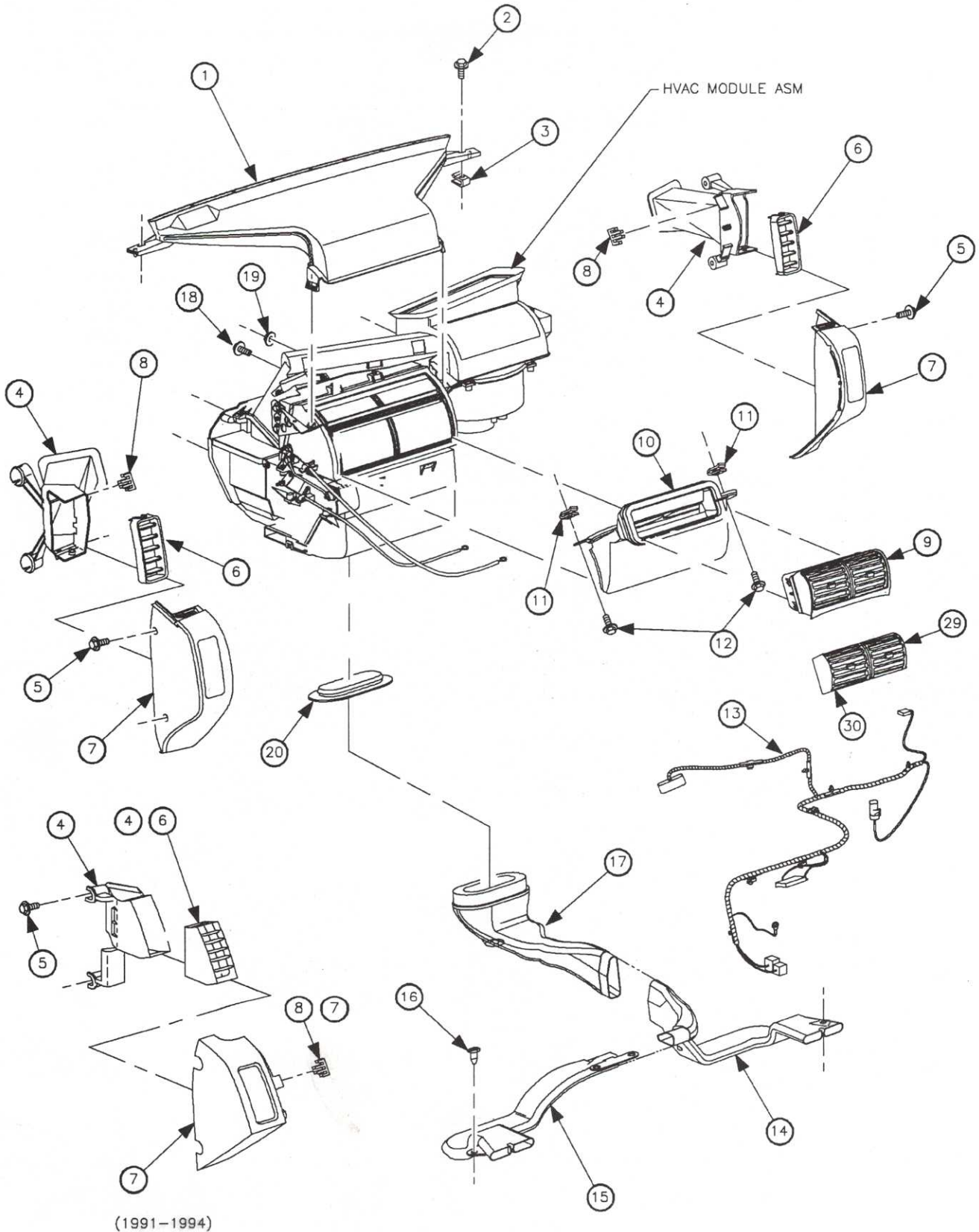
# HVAC MODULE COMPONENTS

---

## NOTES



# HVAC I/P DUCTS AND HARNESS



SPHVC51660AG

**SATURN SERVICE PARTS OPERATION**  
**HVAC 6-10**

© Copyright 1997 Saturn Corporation U.S.A. All Rights Reserved

# HVAC I/P DUCTS AND HARNESS

| Item | Model Year | Part Description   | Model Codes | Usage   | Hd. | Qty. | Part Number |
|------|------------|--|-------------|---|-----|------|-------------|
| 001  | 91-98      | DUCT ASM-W/S DEFR NOZ  | ALL         |   |     | 001  | 21031234    |
| 002  | 91-92      | BOLT/SCREW-W/S DEFR NOZ DUCT   | ALL         |   |     | 002  | 11514844    |
| 002  | 93-95      | BOLT/SCREW-W/S DEFR NOZ DUCT   | ALL         |   |     | 002  | 21040914    |
| 002  | 96-98      | BOLT/SCREW-W/S DEFR NOZ DUCT   | ALL         |   |     | 002  | 11503646    |
| 003  | 91-98      | NUT-W/S DEFR NOZ DUCT  | ALL         |   |     | 002  | 21093771    |
| 004  | 91-94      | OUTLET ASM-I/P OTR AIR   | ALL         |   | L   | 001  | 21030185    |
| 004  | 91-94      | OUTLET ASM-I/P OTR AIR   | ALL         |   | R   | 001  | 21030186    |
| 004  | 95         | DUCT ASM-I/P OTR AIR OTLT  | ALL         |   | R   | 001  | 21035590    |
| 004  | 95         | DUCT ASM-I/P OTR AIR OTLT  | ALL         |   | L   | 001  | 21035591    |
| 004  | 96         | DUCT ASM-I/P OTR AIR OTLT  | A27         |   | R   | 001  | 21035590    |
| 004  | 96         | DUCT ASM-I/P OTR AIR OTLT  | A27         |   | L   | 001  | 21035591    |
| 004  | 96         | DUCT-I/P OTR AIR OTLT  | A35,A69     |   | R   | 001  | 21035592    |
| 004  | 96         | DUCT-I/P OTR AIR OTLT  | A35,A69     |   | L   | 001  | 21035593    |
| 004  | 97-98      | DUCT-I/P OTR AIR OTLT  | ALL         |   | R   | 001  | 21035592    |
| 004  | 97-98      | DUCT-I/P OTR AIR OTLT  | ALL         |   | L   | 001  | 21035593    |
| 005  | 91-94      | BOLT/SCREW-I/P OTR AIR OTLT  | ALL         |   |     | 004  | 21040914    |
| 005  | 95-98      | BOLT/SCREW-I/P OTR AIR OTLT  | ALL         |   |     | 004  | 11516443    |
| 006  | 91-94      | DEFLECTOR-I/P OTR AIR OTLT   | ALL         |   | L   | 001  | 21030323    |
| 006  | 91-94      | DEFLECTOR-I/P OTR AIR OTLT   | ALL         |   | R   | 001  | 21030324    |
| 006  | 95-98      | DEFLECTOR ASM-I/P OTR AIR OTLT   | ALL         |   | R   | 001  | 21035606    |
| 006  | 95-98      | DEFLECTOR ASM-I/P OTR AIR OTLT   | ALL         |   | L   | 001  | 21035607    |
| 007  | 91         | END CAP KIT-I/P A/C OTR AIR OTLT<br>PART COLOR: MD DK GRAY<br>NOTE 1: PAINT TO MATCH REQUIRED  | ALL         | MED DK GRAY(82B,82C,82D)  | L   | 001  | 21030475    |
| 007  | 91         | END CAP KIT-I/P A/C OTR AIR OTLT<br>PART COLOR: MD DK GRAY<br>NOTE 1: PAINT TO MATCH REQUIRED  | ALL         | MED DK GRAY(82B,82C,82D)  | R   | 001  | 21030476    |
| 007  | 91-92      | END CAP KIT-I/P A/C OTR AIR OTLT<br>PART COLOR: MD ANTELOPE<br>NOTE 1: PAINT TO MATCH REQUIRED | ALL         | ANTELOPE(65B,65C,65D,65E) OR ANTELOPE LEATHER (652)   | L   | 001  | 21030477    |
| 007  | 91-92      | END CAP KIT-I/P A/C OTR AIR OTLT<br>PART COLOR: MD ANTELOPE<br>NOTE 1: PAINT TO MATCH REQUIRED | ALL         | ANTELOPE(65B,65C,65D,65E) OR ANTELOPE LEATHER(652)  | R   | 001  | 21030478    |
| 007  | 91-94      | END CAP KIT-I/P A/C OTR AIR OTLT<br>PART COLOR: GRAPHITE<br>NOTE 1: PAINT TO MATCH REQUIRED    | ALL         | NEUTRAL GRAY(16B,16C,16D) OR TAN(61B,61C,61D,61E) OR BLACK(19E) OR BLACK LEATHER(193) OR TAN LEATHER(612,613,615) | L   | 001  | 21030471    |



# HVAC I/P DUCTS AND HARNESS

| Item | Model Year | Part Description   | Model Codes | Usage  | Hd. | Qty. | Part Number |
|------|------------|--|-------------|--|-----|------|-------------|
| 007  | 91-94      | END CAP KIT-I/P A/C OTR AIR OTLT<br>PART COLOR: GRAPHITE       | ALL         | NEUTRAL GRAY(16B,16C,16D) OR TAN(61B,61C,61D,61E) OR BLACK(19E) OR BLACK LEATHER(193) OR TAN LEATHER (612,613,615) | R   | 001  | 21030472    |
|      |            | NOTE 1: PAINT TO MATCH REQUIRED                                |             |  |     |      |             |
| 007  | 91-94      | END CAP KIT-I/P A/C OTR AIR OTLT<br>PART COLOR: VR.DK SAPPHIRE | ALL         | SAPPHIRE(20B,20C,20D, 20E)   | L   | 001  | 21030473    |
|      |            | NOTE 1: PAINT TO MATCH REQUIRED                                |             |  |     |      |             |
| 007  | 91-94      | END CAP KIT-I/P A/C OTR AIR OTLT<br>PART COLOR: VR.DK SAPPHIRE | ALL         | SAPPHIRE(20B,20C,20D, 20E)   | R   | 001  | 21030474    |
|      |            | NOTE 1: PAINT TO MATCH REQUIRED                                |             |  |     |      |             |
| 007  | 93         | END CAP KIT-I/P A/C OTR AIR OTLT<br>PART COLOR: VR.DK BISC     | ALL         | BISCUIT(61B,61C,61D,61E) OR BISCUIT LEATHER(612,613,615)   | L   | 001  | 21030721    |
|      |            | NOTE 1: PAINT TO MATCH REQUIRED                                |             |  |     |      |             |
| 007  | 93         | END CAP KIT-I/P A/C OTR AIR OTLT<br>PART COLOR: VR.DK BISC     | ALL         | BISCUIT(61B,61C,61D,61E) OR BISCUIT LEATHER(612,613,615)   | R   | 001  | 21030722    |
|      |            | NOTE 1: PAINT TO MATCH REQUIRED                                |             |  |     |      |             |
| 007  | 95         | HOUSING-I/P OTR AIR OTLT DFL<br>PART COLOR: DK BISC II         | ALL         | BISCUIT(61B,61C,61D,61E) OR BISCUIT LEATHER(612,613,615)   | R   | 001  | 21040458    |
| 007  | 95         | HOUSING-I/P OTR AIR OTLT DFL<br>PART COLOR: DK BISC II         | ALL         | BISCUIT(61B,61C,61D,61E) OR BISCUIT LEATHER(612,613,615)   | L   | 001  | 21040459    |
| 007  | 95         | HOUSING-I/P OTR AIR OTLT DFL<br>PART COLOR: EBONY              | ALL         | NEUTRAL GRAY(16B,16C,16D) OR BLACK(19E) OR BLACK LEATHER(193)  | R   | 001  | 21040582    |
| 007  | 95         | HOUSING-I/P OTR AIR OTLT DFL<br>PART COLOR: EBONY              | ALL         | NEUTRAL GRAY(16B,16C,16D) OR BLACK(19E) OR BLACK LEATHER(193)  | L   | 001  | 21040583    |
| 007  | 96         | HOUSING-I/P OTR AIR OTLT DFL<br>PART COLOR: DK BISC II         | A27         | BISCUIT(61B,61E) OR BISCUIT LEATHER(613)   | R   | 001  | 21040458    |
| 007  | 96         | HOUSING-I/P OTR AIR OTLT DFL<br>PART COLOR: DK BISC II         | A27         | BISCUIT(61B,61E) OR BISCUIT LEATHER(613)   | L   | 001  | 21040459    |
| 007  | 96         | HOUSING-I/P OTR AIR OTLT DFL<br>PART COLOR: EBONY              | A35,A69     | WARM GRAY(11B,11C,11D) OR WARM GRAY LEATHER(112)   | R   | 001  | 21040482    |
| 007  | 96         | HOUSING-I/P OTR AIR OTLT DFL<br>PART COLOR: EBONY              | A35,A69     | WARM GRAY(11B,11C,11D) OR WARM GRAY LEATHER(112)   | L   | 001  | 21040483    |
| 007  | 96         | HOUSING-I/P OTR AIR OTLT DFL<br>PART COLOR: DK BISC II         | A35,A69     | BISCUIT(61B,61C,61D) OR BISCUIT LEATHER(612)   | R   | 001  | 21040484    |
| 007  | 96         | HOUSING-I/P OTR AIR OTLT DFL<br>PART COLOR: DK BISC II         | A35,A69     | BISCUIT(61B,61C,61D) OR BISCUIT LEATHER(612)   | L   | 001  | 21040485    |



# HVAC I/P DUCTS AND HARNESS

| Item | Model Year | Part Description                                       | Model Codes | Usage  | Hd. | Qty. | Part Number |
|------|------------|--|-------------|--|-----|------|-------------|
| 007  | 96         | HOUSING-I/P OTR AIR OTLT DFL<br>PART COLOR: EBONY      | A27         | WARM GRAY(11B) OR WARM GRAY LEATHER(114) OR BLACK(19E) OR BLACK LEATHER(193)                         | R   | 001  | 21040582    |
| 007  | 96         | HOUSING-I/P OTR AIR OTLT DFL<br>PART COLOR: EBONY      | A27         | WARM GRAY(11B) OR WARM GRAY LEATHER(114) OR BLACK(19E) OR BLACK LEATHER(193)                         | L   | 001  | 21040583    |
| 007  | 97-98      | HOUSING-I/P OTR AIR OTLT DFL<br>PART COLOR: EBONY      | ALL         | WARM GRAY(11B,11C,11D,11E) OR WARM GRAY LEATHER(112,113) OR BLACK(19C,19D,19E) OR BLACK LEATHER(193) | R   | 001  | 21040482    |
| 007  | 97-98      | HOUSING-I/P OTR AIR OTLT DFL<br>PART COLOR: EBONY      | ALL         | WARM GRAY(11B,11C,11D,11E) OR WARM GRAY LEATHER(112,113) OR BLACK(19C,19D,19E) OR BLACK LEATHER(193) | L   | 001  | 21040483    |
| 007  | 97-98      | HOUSING-I/P OTR AIR OTLT DFL<br>PART COLOR: DK BISC II | ALL         | BISCUIT(61B,61C,61D,61E) OR BISCUIT LEATHER(612,613)   | R   | 001  | 21040484    |
| 007  | 97-98      | HOUSING-I/P OTR AIR OTLT DFL<br>PART COLOR: DK BISC II | ALL         | BISCUIT(61B,61C,61D,61E) OR BISCUIT LEATHER(612,613)   | L   | 001  | 21040485    |
| 008  | 91-98      | RETAINER-I/P OTR AIR OTLT DUCT (PUSH IN)               | ALL         |  |     | 002  | 21030233    |
| 009  | 91-94      | OUTLET ASM-I/P CTR AIR                                 | ALL         |  |     | 001  | 21030007    |
| 009  | 95-98      | OUTLET ASM-I/P CTR AIR                                 | ALL         |  |     | 001  | 21060117    |
| 010  | 91-94      | DUCT ASM-I/P CTR AIR OTLT                              | ALL         |  |     | 001  | 21030015    |
| 010  | 95-98      | DUCT ASM-I/P CTR AIR OTLT                              | ALL         |  |     | 001  | 21030525    |
| 011  | 91-98      | NUT-A/C EVAP & BLO MDL                                 | ALL         |  |     | 002  | 11509005    |
| 012  | 91-98      | BOLT/SCREW-HTR & BLO MDL                               | ALL         |  |     | 002  | 11505192    |
| 013  | 91-94      | HARNESS ASM-HTR MDL WRG                                | ALL         | HTR(C41)   |     | 001  | 21020417    |
| 013  | 91-94      | HARNESS ASM-A/C MDL WRG                                | ALL         | A/C(C60) OR RETAILER A/C PREP(C66)   |     | 001  | 21020418    |
| 014  | 91-94      | DUCT ASM-R/FLR AIR                                     | ALL         |  | R   | 001  | 21030170    |
| 014  | 95-96      | DUCT ASM-R/FLR AIR                                     | A35,A69     |  | R   | 001  | 21030170    |
| 014  | 97-98      | DUCT ASM-R/FLR AIR                                     | A35,A69     |  | R   | 001  | 21031124    |
| 015  | 91-94      | DUCT ASM-R/FLR AIR                                     | ALL         |  | L   | 001  | 21030169    |
| 015  | 95-96      | DUCT ASM-R/FLR AIR                                     | A35,A69     |  | L   | 001  | 21030169    |
| 015  | 97-98      | DUCT ASM-R/FLR AIR                                     | A35,A69     |  | L   | 001  | 21031125    |
| 016  | 91-97      | RETAINER-R/FLR AIR DUCT                                | ALL         |  |     | 002  | 21075686    |
| 016  | 98         | RETAINER-R/FLR AIR DUCT                                | A35,A69     |  |     | 002  | 21075686    |
| 017  | 91-94      | DUCT ASM-R/FLR AIR                                     | ALL         |  |     | 001  | 21030176    |
| 017  | 95-98      | DUCT ASM-R/FLR AIR                                     | A35,A69     |  |     | 001  | 21030904    |
| 018  | 91-97      | BOLT/SCREW-HTR & BLO MDL                               | ALL         |  |     | 003  | 10019656    |
| 018  | 98         | BOLT/SCREW-HTR & BLO MDL                               | ALL         |  |     | 003  | 21031246    |
| 019  | 91-98      | NUT-HTR & BLO MDL                                      | ALL         |  |     | 002  | 10060526    |
| 020  | 95-98      | COVER-AUX HTR  | A27         |  |     | 001  | 21030806    |

Rev - 06/97

**SATURN SERVICE PARTS OPERATION**  
**HVAC 6-13**

SPHVC00051660AG

©Copyright 1997 Saturn Corporation U.S.A. All Rights Reserved

# HVAC I/P DUCTS AND HARNESS

| Item | Model Year | Part Description                  | Model Codes | Usage | Hd. | Qty. | Part Number |
|------|------------|-----------------------------------|-------------|-------|-----|------|-------------|
| 029  | 95-98      | DEFLECTOR ASM-I/P CTR AIR<br>OTLT | ALL         |       | R   | 001  | 21060257    |
| 030  | 95-98      | DEFLECTOR ASM-I/P CTR AIR<br>OTLT | ALL         |       | L   | 001  | 21060256    |

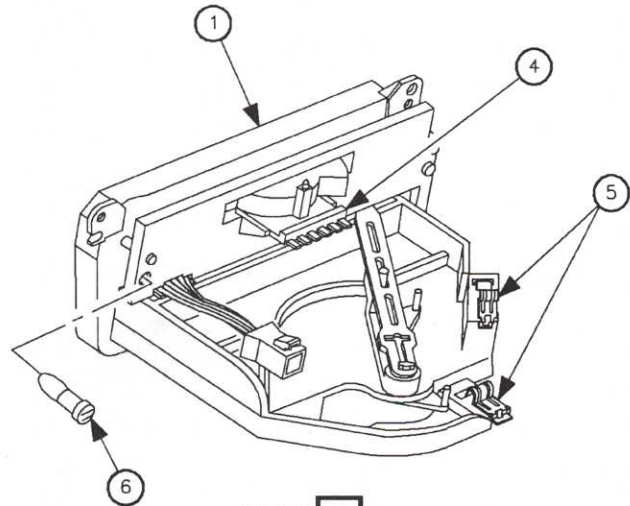
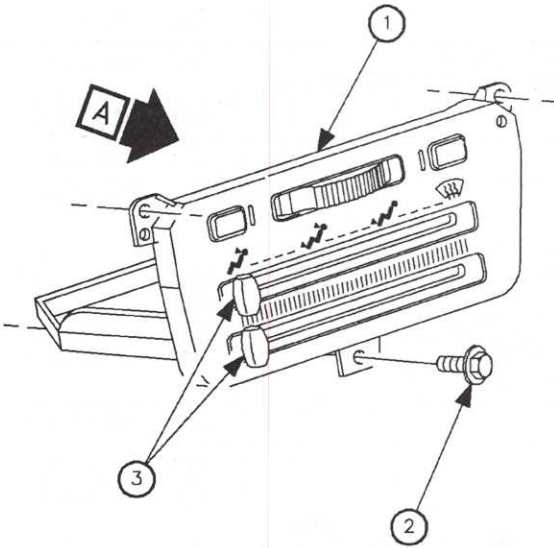
# HVAC I/P DUCTS AND HARNESS

---

## NOTES

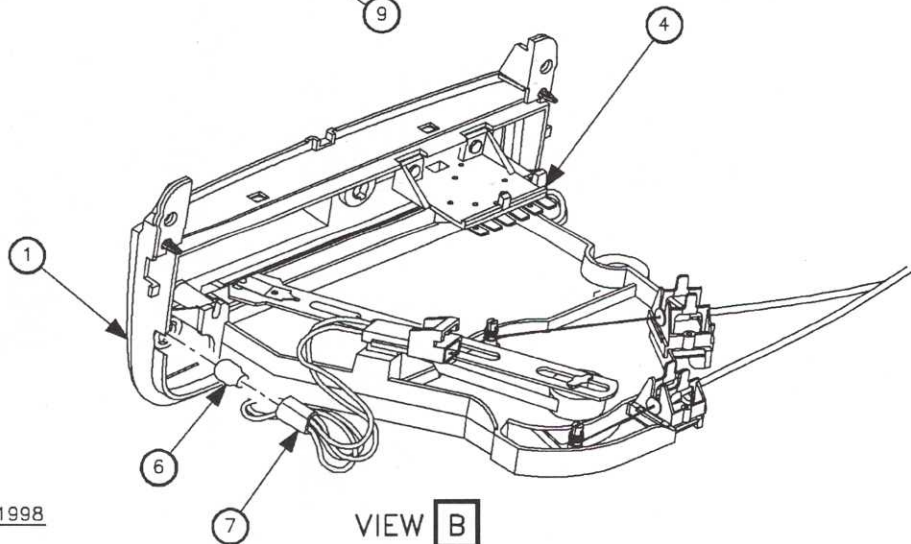
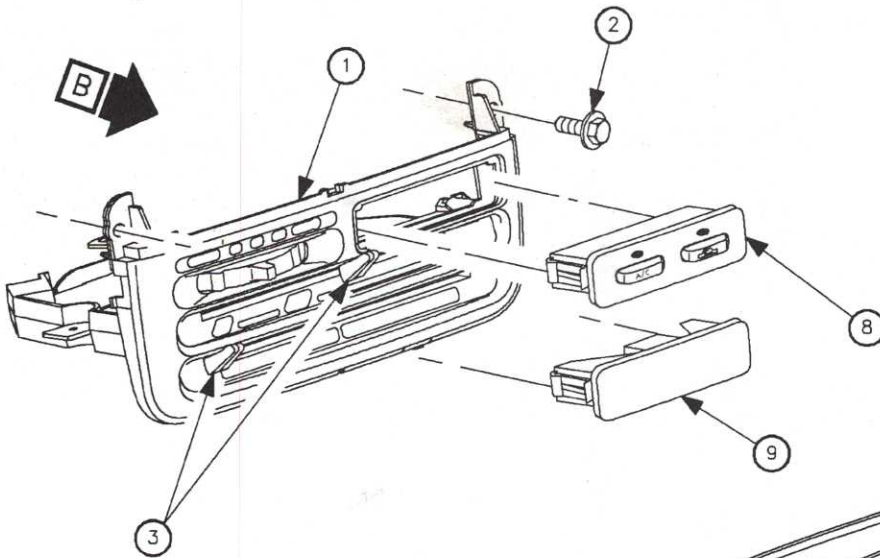


# HVAC CONTROL ASSEMBLY & COMPONENTS



VIEW A

1991-1994



VIEW B

1995-1998

SPHVC51702AG

**SATURN SERVICE PARTS OPERATION**  
**HVAC 6-16**

© Copyright 1997 Saturn Corporation U.S.A. All Rights Reserved

# HVAC CONTROL ASSEMBLY & COMPONENTS

| Item                                       | Model Year | Part Description                       | Model Codes | Usage                                 | Hd. | Qty. | Part Number |
|--|------------|--|-------------|---------------------------------------|-----|------|-------------|
| 001  | 91-94      | CONTROL ASM-HTR & A/C                  | ALL         | A/C(C60) OR<br>RETAILER A/C PREP(C66) |     | 001  | 21030712    |
| 001  | 91-94      | CONTROL ASM-HTR                        | ALL         | HTR(C41)                              |     | 001  | 21030713    |
| 001  | 95-98      | CONTROL ASM-HTR                        | ALL         |                                       |     | 001  | 21031071    |
| 002  | 91-98      | BOLT/SCREW-HTR &<br>A/C CONT           | ALL         |                                       |     | 002  | 21040914    |
| NOTE 1: THE QUANTITY FOR 1991-1994 IS 003. |            |  |             |                                       |     |      |             |
| 003  | 91-94      | KNOB-HTR & A/C CONT MODE<br>& TEMP LVR | ALL         |                                       |     | 001  | 16139166    |
| 003  | 95-98      | KNOB-HTR & A/C CONT BLO<br>SW          | ALL         |                                       |     | 001  | 21030866    |
| 004  | 91-94      | SWITCH-HTR & A/C CONT BLO              | ALL         |                                       |     | 001  | 16139165    |
| 004  | 95-98      | SWITCH ASM-BLO MOT                     | ALL         |                                       |     | 001  | 21030864    |
| 005  | 91-94      | CLIP-HTR & A/C CONT MODE<br>& TEMP CBL | ALL         |                                       |     | 002  | 16139239    |
| 006  | 91-94      | BULB-HTR CONT LP                       | ALL         |                                       |     | 001  | 21030509    |
| 006  | 95-98      | BULB-HTR CONT LP                       | ALL         |                                       |     | 001  | 09436790    |
| 007  | 95-98      | HARNESS ASM-HTR CONT &<br>MDL WRG      | ALL         |                                       |     | 001  | 21030865    |
| 008  | 95-98      | SWITCH ASM-AUX A/C BLO                 | ALL         | A/C(C60)                              |     | 001  | 21021824    |
| 009  | 95-98      | COVER-AUX HTR & AUX A/C<br>BLO SW HOLE | ALL         | HTR(C41) OR<br>RETAILER A/C PREP(C66) |     | 001  | 21021825    |
| NOTE 1: C66 OPTION AVAILABLE ONLY FOR 95.  |            |  |             |                                       |     |      |             |

# HVAC CONTROL ASSEMBLY & COMPONENTS

---

## NOTES



# ALPHABETIC INDEX

---

## A

ACTUATOR ASM-AIR INL VLV, 7

## B

BAFFLE-HTR & A/C MODE CONT LVR, 7

BOLT/SCREW-A/C CMPR, 4

BOLT/SCREW-A/C CMPR & CNDSR HOSE, 3

BOLT/SCREW-A/C CMPR FRT BRKT, 4

BOLT/SCREW-A/C CMPR RR BRKT, 4

BOLT/SCREW-A/C EVAP & CMPR TUBE OPG  
CVR, 3, 7

BOLT/SCREW-A/C RCVR & DEHYDR TUBE, 3

BOLT/SCREW-ENG LIFT BRKT, 4

BOLT/SCREW-HTR & A/C CONT, 17

BOLT/SCREW-HTR & A/C EVAP & BLO MDL, 7

BOLT/SCREW-HTR & BLO MDL, 7, 13

BOLT/SCREW-I/P OTR AIR OTLT, 11

BOLT/SCREW-W/S DEFR NOZ DUCT, 11

BRACKET-A/C CMPR FRT, 4

BRACKET-A/C CMPR RR, 4

BRACKET-HTR & BLO CONT MDL, 7

BULB-HTR CONT LP, 17

## C

CABLE ASM-TEMP CONT, 7

CABLE ASM-VENT CONT, 7

CABLE-HTR & A/C MODE CONT, 7

CABLE-HTR & A/C TEMP CONT, 7

CAP ASM-A/C DISCH LINE SCHRADER VLV, 3

CAP ASM-A/C EVAP HOSE VLV, 3

CASE ASM-BLO UPR, 7

CASE KIT-HTR & A/C MODULE, 7

CLAMP KIT-A/C EVAP, 7

CLAMP KIT-HTR CORE, 7

CLIP-A/C RCVR & DEHYDR TUBE, 3

CLIP-A/C RCVR DEHY TUBE, 3

CLIP-HTR & A/C CONT MODE & TEMP CBL, 17

CLUTCH ASM-A/C, 4, 5

CLUTCH-A/C CMPR, 4

COMPRESSOR ASM-A/C, 3

CONTROL ASM-HTR, 17

CONTROL ASM-HTR & A/C, 17

CORE ASM-A/C DISCH LINE SCHRADER VLV, 3

CORE ASM-A/C SUC LINE SCHRADER VLV, 3

CORE-HTR, 7

COVER-AUX HTR, 13

COVER-AUX HTR & AUX A/C BLO SW HOLE, 17

COVER-BLO, 7

COVER-HTR CORE, 7

## D

DEFLECTOR ASM-I/P CTR AIR OTLT, 14

DEFLECTOR ASM-I/P OTR AIR OTLT, 11

DEFLECTOR-I/P OTR AIR OTLT, 11

DUCT ASM-I/P CTR AIR OTLT, 13

DUCT ASM-I/P OTR AIR OTLT, 11

DUCT ASM-R/FLR AIR, 13

DUCT ASM-W/S DEFR NOZ, 11

DUCT-AIR DISTR LWR, 7

DUCT-I/P OTR AIR OTLT, 11

## E

END CAP KIT-I/P A/C OTR AIR OTLT, 11, 12

EVAPORATOR KIT-A/C, 7

## F

FITTING-A/C RETRO FIT DISCH, 5

FITTING-A/C RETRO FIT SUCTION, 5

# ALPHABETIC INDEX

## H

HARNES ASM-A/C MDL WRG, 13  
HARNES ASM-HTR CONT & MDL WRG, 17  
HARNES ASM-HTR MDL WRG, 13  
HOSE ASM-A/C CMPR, 4  
HOSE ASM-A/C CMPR DISCHARGE, 4  
HOSE ASM-A/C RCVR & DEHYDR, 4  
HOUSING ASM-HTR & A/C MODE VLV, 7  
HOUSING-I/P OTR AIR OTLT DFL, 12, 13

## I

ISOLATOR-HTR & A/C BLO MOT, 7

## K

KNOB-HTR & A/C CONT BLO SW, 17  
KNOB-HTR & A/C CONT MODE & TEMP LVR, 17

## L

LABEL-A/C REFRIG CAUTION, 5  
LINKAGE KIT-HTR & A/C CONT, 7

## M

MODULE KIT-BLO MOT CONT, 8  
MOTOR ASM-BLO, 7

## N

NUT-A/C EVAP & BLO MDL, 13  
NUT-A/C RCVR & DEHYDR BRKT, 4  
NUT-HTR & BLO MDL, 13  
NUT-W/S DEFR NOZ DUCT, 11

## O

OUTLET ASM-I/P CTR AIR, 13  
OUTLET ASM-I/P OTR AIR, 11

## R

RELAY KIT-BLO MOT CONT MDL, 8  
RESISTOR ASM-BLO MOT, 7  
RETAINER-I/P OTR AIR OTLT DUCT  
(PUSH IN), 13  
RETAINER-R/FLR AIR DUCT, 13

## S

SEAL KIT-HTR & BLO MDL & A/C EVAP DRN  
TUBE, 7  
SEAL-A/C CNDSR TUBE (O RING), 4  
SEAL-A/C EVAP INL TUBE, 3  
SEAL-A/C EVAP OTLT TUBE, 3  
SEAL-A/C EVPR, 3, 7  
SEAL-A/C RCVR & DEHYDR FTG (O RING), 4  
SEAL-A/C RCVR & DEHYDR TUBE (O RING), 3  
SEAL-A/C REFRIG PRESS SW FTG (O RING), 4  
SEAL-A/C SUC LINE (O RING), 3  
SENSOR-A/C CMPR, 5  
STUD-HTR & A/C CONT VAC SCE HOSE CLIP, 7  
SWITCH ASM-A/C CMPR RLY ENG COOL  
TEMP, 3  
SWITCH ASM-AUX A/C BLO, 17  
SWITCH ASM-BLO MOT, 17  
SWITCH-HTR & A/C CONT BLO, 17

## T

TUBE ASM-A/C RCVR & DEHYDR, 3, 4

## V

VALVE ASM-A/C EVAP THERM EXPN, 3  
VALVE-A/C CMPR PRESS RLF, 5  
VALVE-TEMP, 7

# PART NUMBER INDEX

---

|                |                |              |
|----------------|----------------|--------------|
| 03033943, 3    | 21030170, 13   | 21030816, 4  |
| 03041827, 3    | 21030176, 13   | 21030824, 3  |
| 03091179, 7    | 21030185, 11   | 21030825, 3  |
| 03093166, 7    | 21030186, 11   | 21030826, 5  |
| 03093509, 4    | 21030206, 3    | 21030827, 5  |
| 03094214, 4    | 21030233, 13   | 21030851, 5  |
| 03094215, 3    | 21030277, 3, 7 | 21030852, 5  |
| 09436790, 17   | 21030300, 4    | 21030855, 3  |
| 10019656, 13   | 21030302, 5    | 21030857, 5  |
| 10027604, 3    | 21030308, 3    | 21030864, 17 |
| 10060526, 13   | 21030323, 11   | 21030865, 17 |
| 11503646, 11   | 21030324, 11   | 21030866, 17 |
| 11505192, 13   | 21030334, 7    | 21030870, 7  |
| 11505830, 7    | 21030338, 7    | 21030887, 7  |
| 11508251, 4    | 21030340, 7    | 21030903, 4  |
| 11508300, 4    | 21030349, 7    | 21030904, 13 |
| 11508476, 3    | 21030351, 7    | 21030912, 3  |
| 11509005, 13   | 21030352, 7    | 21031053, 7  |
| 11509220, 4    | 21030419, 4    | 21031054, 7  |
| 11514844, 11   | 21030471, 11   | 21031071, 17 |
| 11515376, 3, 7 | 21030472, 12   | 21031099, 4  |
| 11515471, 3    | 21030473, 12   | 21031119, 4  |
| 11516443, 11   | 21030474, 12   | 21031124, 13 |
| 12167634, 8    | 21030475, 11   | 21031125, 13 |
| 16124567, 7    | 21030476, 11   | 21031128, 5  |
| 16139165, 17   | 21030477, 11   | 21031138, 7  |
| 16139166, 17   | 21030478, 11   | 21031158, 8  |
| 16139239, 17   | 21030509, 17   | 21031159, 4  |
| 21000703, 4    | 21030525, 13   | 21031196, 3  |
| 21000705, 4    | 21030586, 4    | 21031219, 7  |
| 21006957, 4    | 21030587, 3    | 21031220, 7  |
| 21006958, 4    | 21030589, 4    | 21031221, 7  |
| 21020417, 13   | 21030712, 17   | 21031222, 3  |
| 21020418, 13   | 21030713, 17   | 21031234, 11 |
| 21021167, 4    | 21030721, 12   | 21031246, 13 |
| 21021824, 17   | 21030722, 12   | 21031256, 5  |
| 21021825, 17   | 21030724, 3    | 21031259, 4  |
| 21030007, 13   | 21030787, 7    | 21035590, 11 |
| 21030015, 13   | 21030794, 4    | 21035591, 11 |
| 21030075, 3    | 21030806, 13   | 21035592, 11 |
| 21030169, 13   | 21030811, 3    | 21035593, 11 |

Rev - 02/98

**SATURN SERVICE PARTS OPERATION**  
**HVIN 6-21**

©Copyright 1998 Saturn Corporation U.S.A. All Rights Reserved



# PART NUMBER INDEX

---

|                  |              |             |
|------------------|--------------|-------------|
| 21035606, 11     | 21060117, 13 | 52455430, 7 |
| 21035607, 11     | 21060256, 14 | 52455432, 7 |
| 21040458, 12     | 21060257, 14 | 52455433, 7 |
| 21040459, 12     | 21075686, 13 | 52455442, 7 |
| 21040482, 12, 13 | 21093771, 11 | 52455830, 3 |
| 21040483, 12, 13 | 52451233, 3  | 52455831, 3 |
| 21040484, 12, 13 | 52453981, 7  | 52458768, 3 |
| 21040485, 12, 13 | 52453982, 7  | 52460554, 7 |
| 21040582, 12, 13 | 52454597, 7  | 52461807, 7 |
| 21040583, 12, 13 | 52454730, 7  | 52465447, 7 |
| 21040914, 11, 17 | 52454736, 7  |             |